

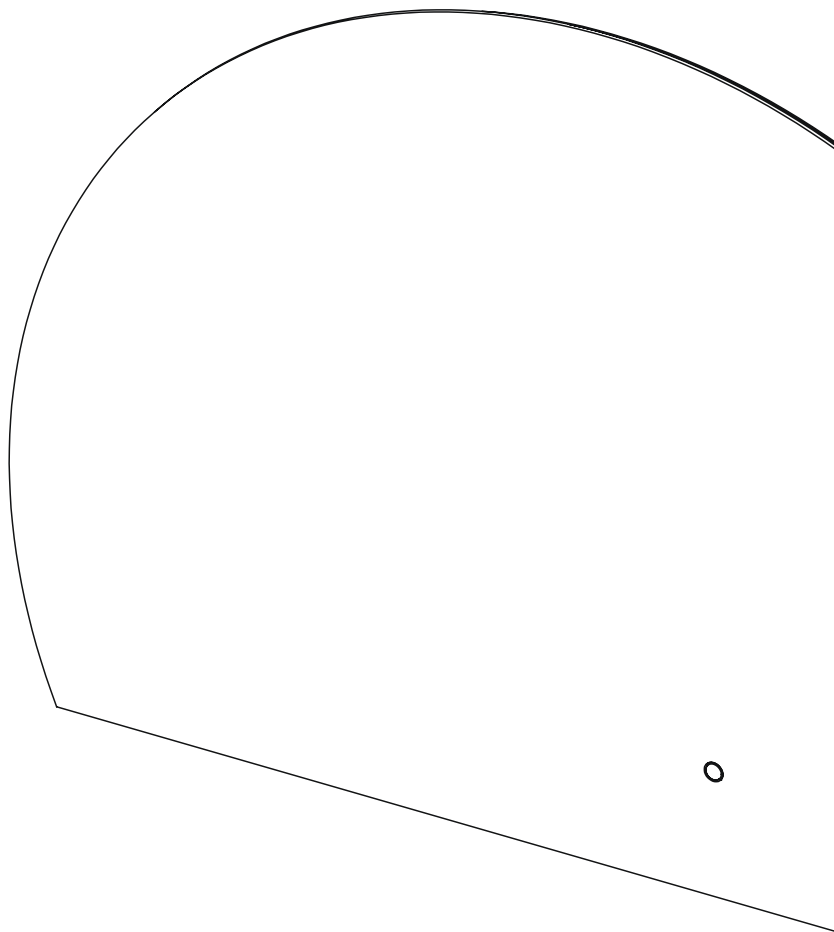
USER MANUAL



Thank you for choosing Better Bathrooms.
Please read this manual before installing your product
and keep for future reference.

better 
bathrooms

VIRGO800



- Single-person assembly
- Tools required
- We always recommend using professional tradespeople to install your product

V1_10.07.24

Congratulations on your purchase

And welcome to our growing gang of savvy shoppers

We're on a mission to bring you extraordinary bathroom products, for less. From modern to traditional style ceramics, plus the gorgeous fixtures, fittings and furniture to match. So, you can fall in love with your space every single day.

As one of the UK's largest independent bathroom stores, we've received countless awards; including the National Business Awards UK, the Digital Entrepreneur Awards and being placed on The Sunday Times Fast Track 100.

We hope your new product goes above and beyond your expectations. However, should any problems occur, please:

- log in to your account and contact our customer services team via your self-serve portal – betterbathrooms.com/CustomerAccount/Login
- contact us via betterbathrooms.com/content/contact-us

Important information

- Please read these instructions thoroughly and retain for future reference
- Always check for pipes and cables before drilling

Wiring


All electrical equipment within a bathroom or shower room must be connected to a residual current device as per Part P of the Building Regulations. This product is manufactured to class I category and requires an earth connection.

Input Voltage: 220 - 240V ~ 50Hz

COLOUR CODING:

L - Live = Brown

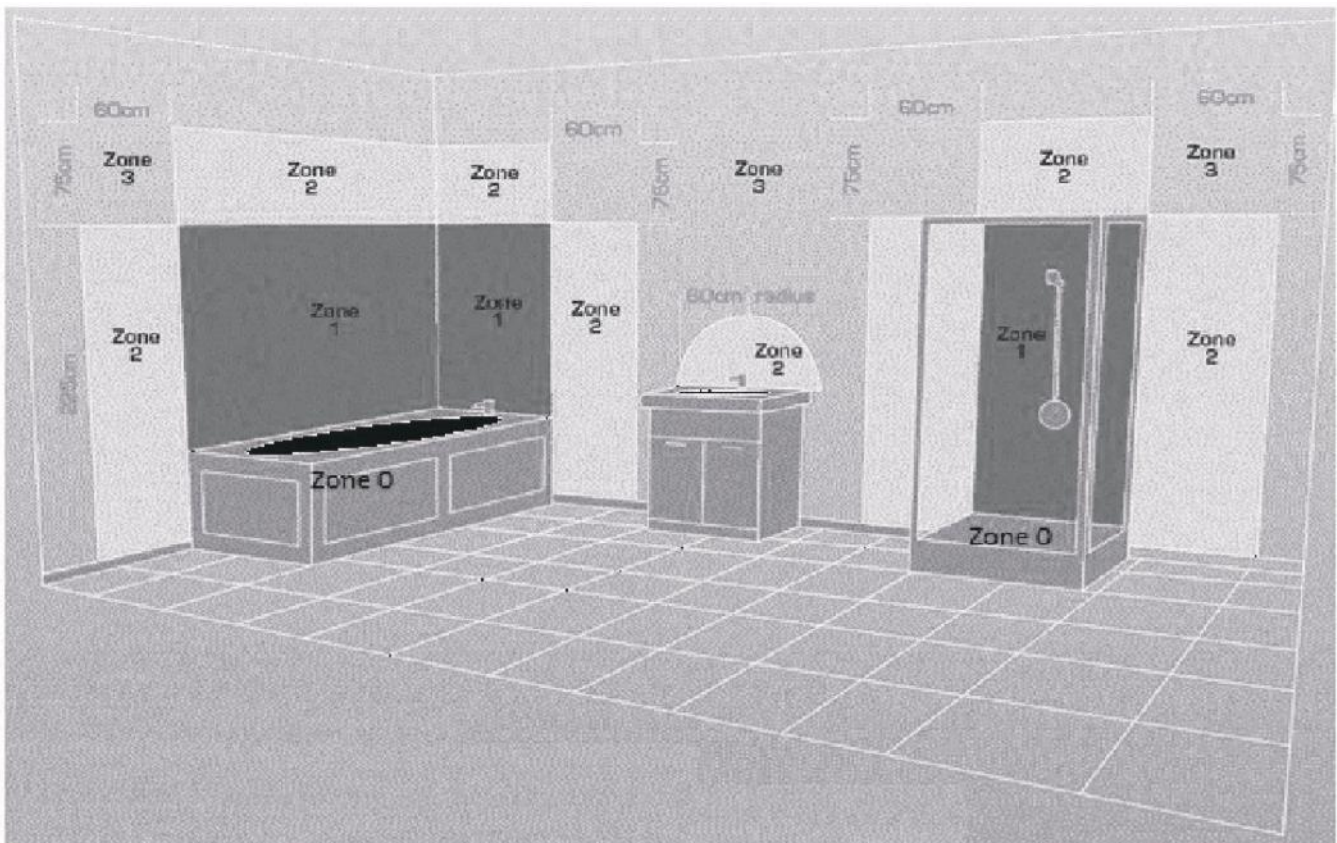
N - Neutral = Blue

 - Earth = Green & Yellow

Safety

- This mirror should be installed by a qualified electrician.
- This fitting is only suitable for connection to a 220-240V earthed supply in accordance with current IEE wiring regulations, and should be installed in accordance with local Building Regulations.
- This is for domestic, indoor use only.
- The fitting should be connected to a dedicated lighting circuit which must be protected by a 5-amp fuse (or a 6-amp miniature circuit breaker).
- Before installing the fitting ensure the mains supply is switched off, and that the appropriate fuse is removed (or appropriate circuit breaker is switched off) before commencing installation. Ensure that measures are taken to prevent the supply from being inadvertently reconnected.
- If there is a “Minimum Distance” Label, please do not allow Flammable Materials to rest within that distance from the unit.
- This product may contain delicate parts – be careful during handling and maintenance to avoid breakage.
- If any modification is made to the fitting it will invalidate the warranty and may render the product unsafe.
- A defective appliance may cause electric shock. Never switch on a defective or damaged appliance. Disconnect the appliance from the mains before seeking assistance.
- This product is IP44 rated, and no part of the installation is allowed to be within bathroom Zones 0 or 1. Installation is permitted within Zone 2.
- This product must be earthed. Before commencing installation, ensure that there are no pipes or wires located behind the wall that may be damaged during drilling.
- Ensure that the hanging location has been decided upon and marked clearly to avoid unwanted damage in the wall due to incorrect positioning.
- Check that the mirror is not damaged prior to installation.
- Take care unpacking, do not use a sharp blade to open as this may damage the mirror and void your warranty.
- Installation must only be carried out by a qualified professional or electrician.

Bathroom zones


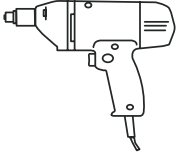






Zone 0:	The interior of the bathtub or shower basin.
Zone 1:	The area around the bathtub or shower basin up to a height of 2.25m above the floor
Zone 2:	The area stretching to 0.6m outside the bath or shower and above the bath or shower if over 2.25m

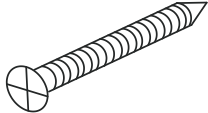
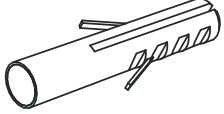
Maintenance & Care

- To keep the finish of this product, wipe over with soft cloth periodically.
- Do not use harsh chemical solvents, this may dis-colour or damage the finish.

Tools Required (not supplied):

Drill + 8mm Drill Bit		Safety Goggles	
pencil		Screw Driver (Phillips No 2)	
Tape MEasure		Spirit Level	

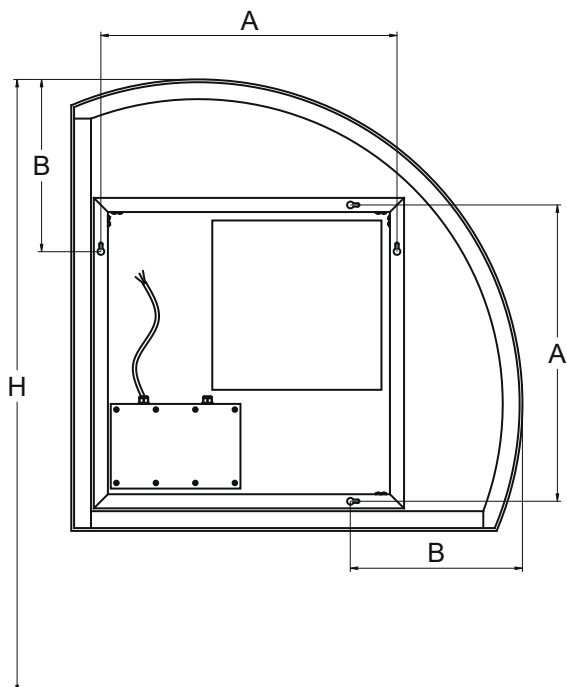
COMPONENTS

2 X Fixing Screws	
2 x Wall Plugs for solid wall only	

Installation procedure

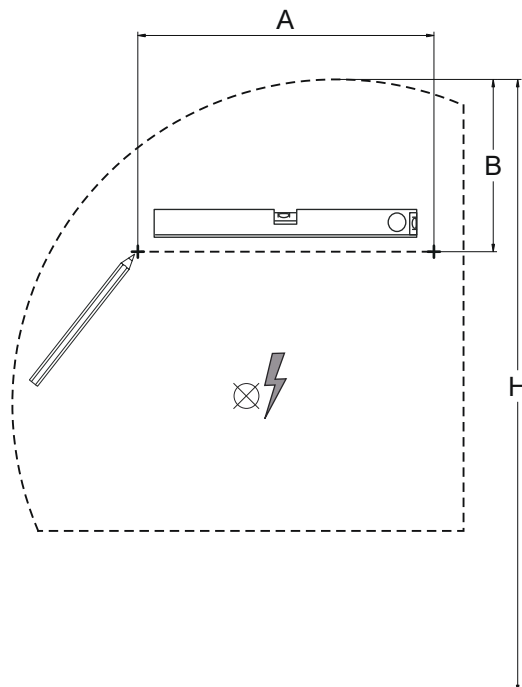
1

	A	B	H
VIRGO800 (portrait)	525mm	305mm	1900mm
VIRGO800 (landscape)	525mm	305mm	1900mm



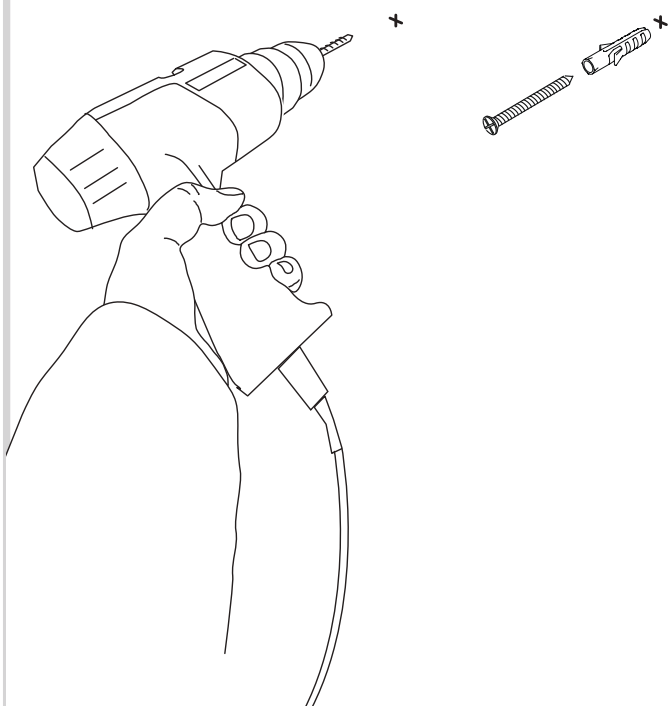
2

This mirror can be mounted either portrait or landscape.

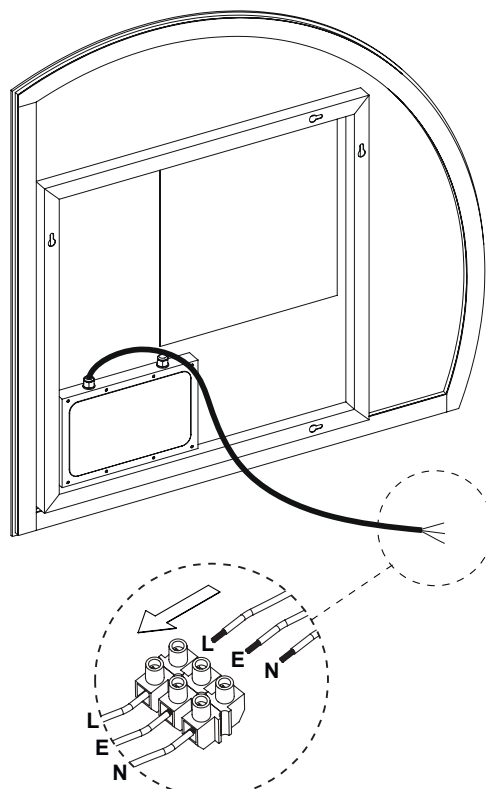


3

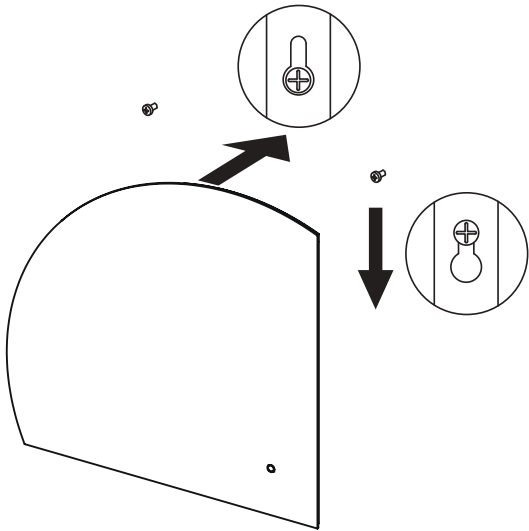
Ø8 mm




4




5

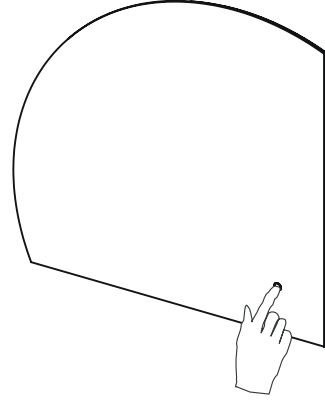


6

Touch  to turn the task light and defogger on or off.

Press and hold  to change the color temperature of the task light.

Press and hold  again to change the brightness.



Technical specification

Model	VIRGO800
LxHxW(cm)	80x80x3
Net Weight(kg)	7.2
Power Cord Length(cm)	100
Rated Power	56.2W
IP Rating	IP44
Input	220V-240V 50/60Hz

This product contains a light source of energy efficiency class<E>.

DISPOSAL

Recycling facilities are now available for all customers at which you can deposit your old electrical products. Customers will be able to take any old electrical equipment to participating sites run by their local councils.

Please remember that this equipment will be further handled during the recycling process, so please be considerate when depositing your equipment. Please contact the local council for details of your local household waste recycling centers.



At the time of printing the product contains no substances listed within Annex XIV of the Reach Regulations (EC) 1907/2006. In accordance with Article 59 of the same regulation the following substances are contained within the product at permitted levels: Cadmium.

As a responsible manufacturer the regulations are monitored to ensure continued compliance. Further information can be provided upon request.

For more information

- visit betterbathrooms.com
- email customerservices@buyitdirect.co.uk
- call 0330 390 3062
- write to Trident Business Park, Neptune Way, Huddersfield, HD2 1UA

better 
bathrooms

Part of the BuyItDirect Group